

Make a picture frame

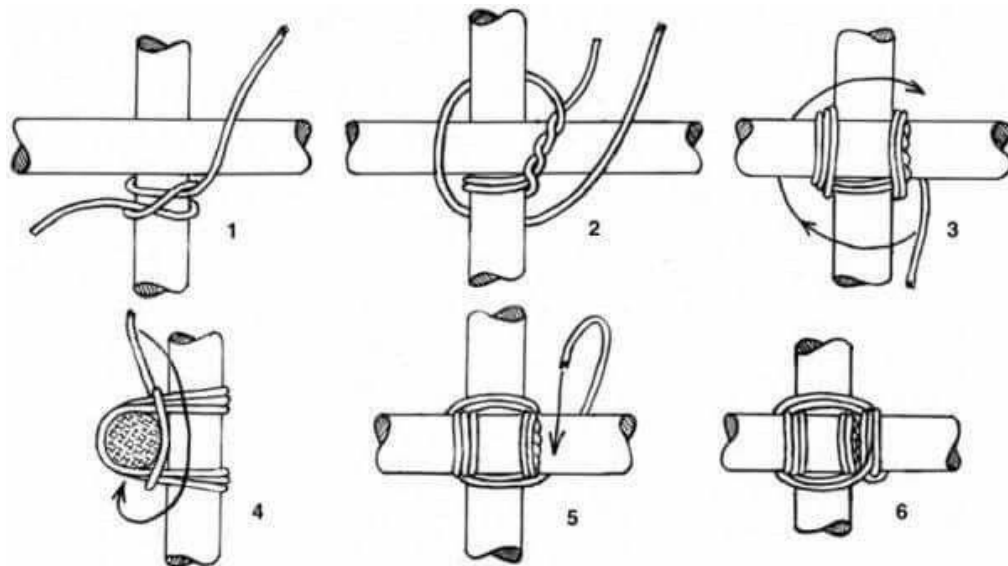
Picture frames help us focus on a distant view, on something nearby or something special.



1. Collect either 4 sticks all the same length to make a square frame, or 2 long sticks of the same length and 2 shorter ones. Choose different interesting sticks or smooth straight ones.



2. Overlap the ends of the sticks and lash together with wool or string to make a square or a rectangle. It is great practice for tying knots as they will need to be firm. Here is how to square lash:



3. To decorate the frame twist creeper stems or more wool/string around the frame and then weave in natural materials you find.

Remember only to use what is not still living.

4. Attach another piece of string as a hanger if you wish.
5. Find what you would like to frame!